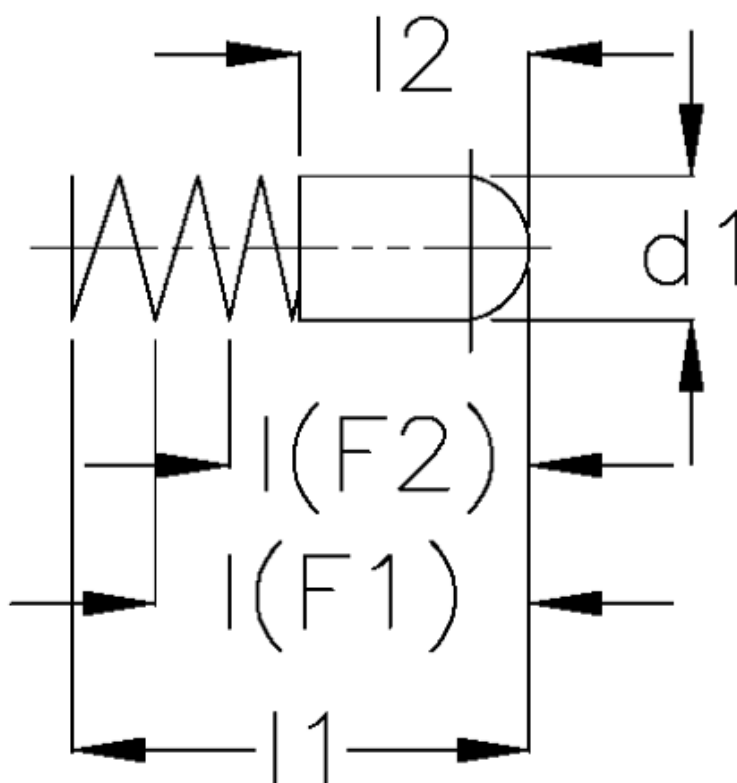


Article number: 20028396

Description: E+G
Spring plunger GN 610-2,2-16-H

Measures



d1	= 2.2
I(F1)	= 12.0
I(F2)	= 10.5
I ₁	= 16
I ₂	= 7.8
Spring pressure (F1) N	= 2.2
Spring pressure (F2) N	= 3.0